



Order No. **X-XLF7417-XD**
Model No. **XLF7417-XD**

Notes:

Section 10309 - Manufactured Electric Fireplaces

PART 1 GENERAL

1.1 SECTION INCLUDES

- A. Manufactured electric fireplaces
- B. Accessories

1.2 RELATED SECTIONS

- A. Section 06100 - Rough Carpentry: Wood framed rough opening and enclosure

1.3 REFERENCES

- A. UL - 2021
- B. CSA - C22.2 No. 46

1.4 SUBMITTALS

- A. Submit under provisions of Section 01300.
- B. Product Data: Manufacturer's data sheets on each product to be used, including:
 - 1. Preparation instructions and recommendations
 - 2. Storage and handling requirements and recommendations
 - 3. Installation methods
- C. Manufacturer's Certificates: Certify products meet or exceed specified requirements.
- D. Manufacturer's warranty.

1.5 DELIVERY, STORAGE, AND HANDLING

- A. Store products in manufacturer's unopened packaging until ready for installation.
- B. Protect materials from exposure to moisture. Do not deliver until after wet work is complete and dry.

1.6 WARRANTY

- A. 5-year limited warranty for indoor use and 1-year limited warranty for outdoor use.

PART 2 PRODUCTS

2.1 ACCEPTABLE MANUFACTURERS

- A. Pre-fabricated Electric Fireplace:
 - 1. Base: Dimplex Electric Fireplace
Glen Dimplex Americas
1367 Industrial Road
Cambridge ON N3H 4W3
1-888-346-7539
www.dimplex.com
 - 2. Substitutions not permitted
 - 3. Requests for substitutions will be considered in accordance with provisions of Section 01600



Order No. **X-XLF7417-XD**
Model No. **XLF7417-XD**

Notes:

Section 10309 - Manufactured Electric Fireplaces

2.2 ELECTRIC FIREPLACES

A. General:

1. Provide all components and accessories required for a complete, functional unit
2. cULus listed, file E71416

B. Pre-fabricated Electric Fireplace:

1. Base Product:

- a) Dimplex Ignite Bold Linear Electric Fireplace
- b) Material Number: X-XLF7417-XD
- c) Model Number: XLF7417-XD
- d) Regulatory model number: 6911600000

2. Description: Realistic 74" linear electric fireplace

3. Dimensions (Bay installation):

- a) Width: 75-5/8" / 192.2 cm
- b) Height: 23-7/8" / 60.7 cm
- c) Depth: 12-1/8" / 30.6 cm

4. Framing Dimensions:

- a) Width: 74-5/8" / 189.5 cm
- b) Height: 24-1/4" / 61.6 cm
- c) Depth: 11-5/8" / 29.5 cm

5. Electrical:

- a) Volts: 120 V, 240 V with neutral wire
- b) Watts: 1500 W, 2500 W
- c) BTUs: 5118 / 8530
- d) Amps: 12.5/10.4

6. Venting: Non-venting

7. Operation: Flame only, heat only, flame and heat

8. Heating: Louver-less, fan-forced circulation

9. Liner: Steel

10. Standard features:

- a) A new multi-layered color effect that creates a sense of depth. Color settings can be controlled independently or combined in one of five presets
- b) Ambient light sensor automatically adjusts firebox light to suit the room or can be customized with a range of preset colors
- c) The multi-media bed includes small and large acrylic crystals with natural looking driftwood
- d) LED flame technology



Order No. **X-XLF7417-XD**
Model No. **XLF7417-XD**

Notes:

Section 10309 - Manufactured Electric Fireplaces

- e) Hard wire capabilities - 120V, 240V
 - f) Built-in touch controls
 - g) Built-in Timer - Set for up to 8 hours
 - h) Seamless installation and edge to edge glass
 - i) Equipped with integrated smart technology that provides maintenance and operation feedback
11. Control options:
- a) Flame Connect mobile app
 - b) Multi-function remote control
 - c) Built-in hidden controls (Standby, heat on/off, thermostat, brightness, flame theme)
12. Optional Accessories:
- a) Plug Kit - XLFXDPLUG
 - b) Linking Kit for Modular Installation - X-XLFXDLINK
 - c) Other optional accessories available

PART 3 EXECUTION

3.1 INSPECTION

- A. Do not begin installation until substrates have been properly prepared.
- B. If substrate preparation is the responsibility of another installer, notify Architect of unsatisfactory preparation before proceeding.
- C. Verify proper power supply and fuel source are available.

3.2 PREPARATION

- A. Clean surfaces thoroughly prior to installation.
- B. Prepare surfaces using the methods recommended by the manufacturer for achieving the best result for the substrate under the project conditions.

3.3 INSTALLATION

- A. Install in accordance with manufacturer's instructions and requirements of authorities having jurisdiction.
- B. Use manufacturer's guidelines for minimum clearances to combustibles, walls, and finishes.
- C. Anchor all components firmly in position for long life under hard use.
- D. Upon completion of installation, visually inspect all exposed surfaces. Touch up scratches and abrasions with touch up paint recommended by the manufacturer; make imperfections invisible to the unaided eye from a distance of 5 feet (1.5 m).
- E. To use the mobile app, install where a WiFi connection is available.

3.4 PROTECTION

- A. Protect installed products until completion of project.
- B. Touch-up, repair or replace damaged products before Substantial Completion.

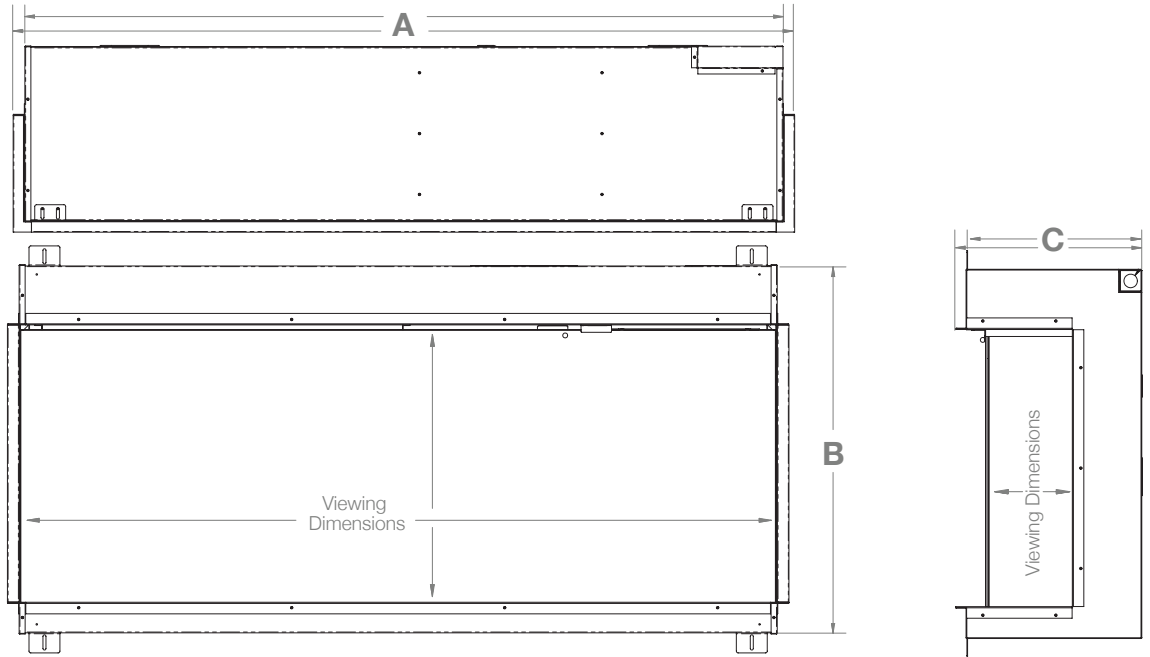
END OF SECTION



Order No. **X-XLF7417-XD**
 Model No. **XLF7417-XD**

Notes:

Product Dimensions:



Product XLF7417-XD	A WIDTH (in/cm)	B HEIGHT (in/cm)	C DEPTH (in/cm)	VIEWING DIMENSION - WxHxD (in/cm)
Bay Install	75-5/8 (192.2)	23-7/8 (60.7)	12-1/8 (30.6)	74 x 16-1/8 x 5-1/2 (188.0 x 40.9 x 14.0)
Front Install	74-5/8 (189.5)		11-3/8 (28.9)	

Installation Instructions

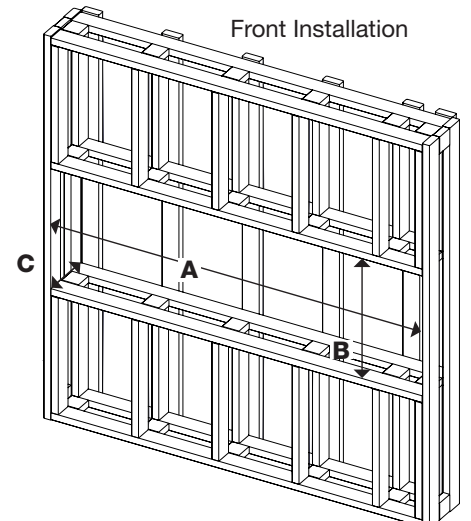
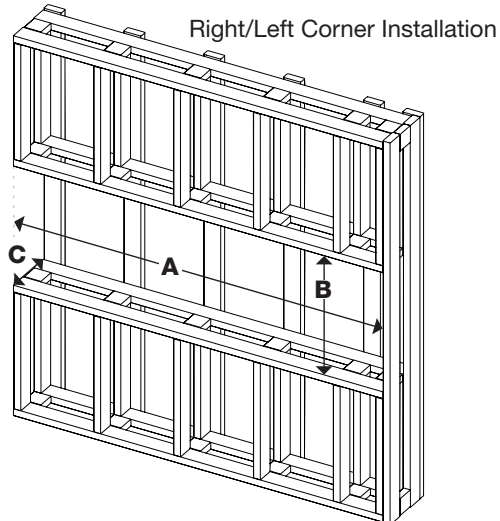
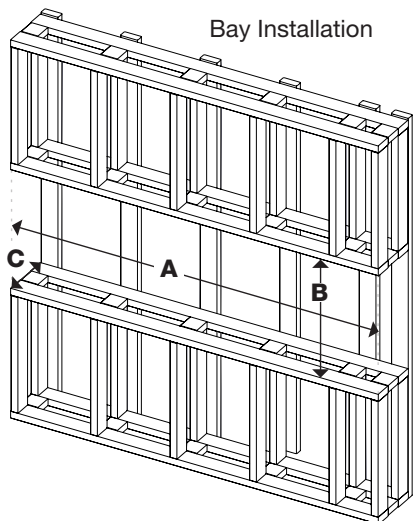
Width A	Height B	Depth (minimum) C
74-5/8" (189.5 cm)	24-1/4" (61.6 cm)	11-5/8" (29.5 cm)

The dimensions are the same for single-sided, two-sided, or three-sided installations.

CAUTION: This fireplace is **NOT** load-bearing. Ensure the opening for the fireplace is framed in such a way that the weight of the building materials will not create pressure on the top of the fireplace.

NOTE: Wiring is performed at the top right back corner of the firebox. Plan the framing to allow routing the power cable to this location.

NOTE: It is recommended that the bottom of the unit be mounted between 5" (13 cm) and 40" (102 cm) from the ground to maintain an optimized viewing angle of the flame.





Order No. **X-XLF7417-XD**
 Model No. **XLF7417-XD**

Notes:

Framing / Installation:

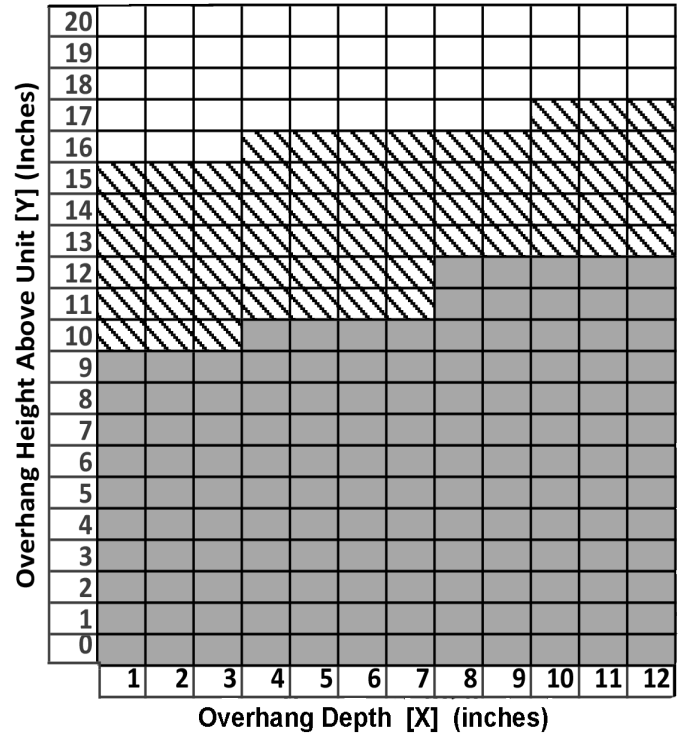
Installation Recommendations for Overhanging Objects

For overhanging temperature-sensitive objects, such as a television, a mantel, or artwork, always follow the recommendations provided by its manufacturer for installation over a heater.

Figure 1 provides the overhang clearance recommendations for the fireplace. Areas above the fireplace are marked as follows:

- Solid gray box (■) is subject to temperatures greater than 65°C (149° F).
- Hatched box (▨) is subject to temperatures greater than 40°C (104° F).
- Clear box (□) is subject to temperatures less than 40°C (104° F).

Figure 1



Outdoor Installation

This electric fireplace is suitable for installation in outdoor areas, sheltered by an overhang to protect against direct water ingress. Installation on ground-fault protected circuit is recommended. All electrical connections and routings shall be in accordance with local building code requirements.

To maintain warranty coverage, the overhang must follow this rule:

- Maximum Height $\leq 3 \times$ Projection Length, where:
- Maximum Height is measured vertically from the bottom of the fireplace to the bottom edge of the overhang
- Projection Length is measured from the exposed face of the fireplace to the parallel edge of the overhang
- For example, if the overhang is 9 feet above the bottom of the fireplace, it must extend a least 3 feet outwards on all sides

Figure 2

