

Dimplex®

Experience Better Living.



**Built-In
Series**

NOVA

*Warm and Stylish with
Installation Flexibility.*



Acrylic Crystals or Logs available in 23, 26, 28 & 33 inch widths

Key Benefits

Quick Comfort

Simply plug-in and enjoy the flickering flames and cozy warmth.

Elevate Ambiance

Have your choice of ember beds to enhance your aesthetic, complementing a wide range of design styles.

Adaptable Installation

Retrofit into an existing fireplace or construct a custom fireplace surround or mantel to achieve your desired look.



Dimplex Flame Effect

A blend of technology, artistry and craftsmanship that sets the standard for realism.



Powerful Heating

Powerful fan-forced heater provides on-demand heat up to 1,000 sq. ft.



Customizable Flame

Adjust the flame speed and brightness to create the ideal ambiance that matches your mood or room.



All-Season Flames

Enjoy the ambience of flames 365 days a year, without using the heater.



Featuring **Optiflame** technology.

The most popular electric flame technology, developed by Dimplex to create a cozy and safe fire effect.

Available in:



Realogs®



Acrylic Crystals



Multi-function Remote

Control the fireplace from the comfort of your chair.

Accessories



Driftwood and River Rock Ember Bed Kit*

Model Number	Description
XHD23G	23" Plug-In Electric Firebox - Acrylic Crystal
XHD23L	23" Plug-In Electric Firebox - Realogs
XHD26G	26" Plug-In Electric Firebox - Acrylic Crystal
XHD26L	26" Plug-In Electric Firebox - Realogs
XHD28G	28" Plug-In Electric Firebox - Acrylic Crystal
XHD28L	28" Plug-In Electric Firebox - Realogs
XHD33G	33" Plug-In Electric Firebox - Acrylic Crystal
XHD33L	33" Plug-In Electric Firebox - Realogs



Scan for more information on dimensions, accessories, and technical details.



© Dimplex All rights reserved. Material contained in this publication may not be reproduced in whole or in part, without prior permission in writing of Dimplex. Dimplex is a Registered Trade Mark in North America. All Dimplex flame effects are protected by multiple worldwide patents. All the products shown in this sell sheet are protected by intellectual property rights owned by Dimplex or members of the Glen Dimplex Group on an international basis. The Glen Dimplex Group of Companies will actively protect these rights. Specifications, finishes and dimensions are subject to change. Limited warranty. * Only available in certain sizes. SE-636-R02-100223



Order No. 500001756
Model No. XHD33L

Notes:

Section 10309 - Manufactured Electric Fireplaces

PART 1 GENERAL

1.1 SECTION INCLUDES

- A. Manufactured electric fireplaces.
- B. Accessories

1.2 RELATED SECTIONS

- A. Section 06100 - Rough Carpentry: Wood framed rough opening and enclosure.

1.3 REFERENCES

- A. UL - 2021
- B. CSA - C22.2 No. 46-13

1.4 SUBMITTALS

- A. Submit under provisions of Section 01300.
- B. Product Data: Manufacturer's data sheets on each product to be used, including:
 - 1. Preparation instructions and recommendations.
 - 2. Storage and handling requirements and recommendations.
 - 3. Installation methods.
- C. Manufacturer's Certificates: Certify products meet or exceed specified requirements.
- D. Manufacturer's warranty.

1.5 DELIVERY, STORAGE, AND HANDLING

- A. Store products in manufacturer's unopened packaging until ready for installation.
- B. Protect materials from exposure to moisture. Do not deliver until after wet work is complete and dry.

1.6 WARRANTY

- A. Provide the manufacturer's 2-year limited warranty on electrical components.

PART 2 PRODUCTS

2.1 ACCEPTABLE MANUFACTURERS

- A. Pre-fabricated Electric Fireplace:
 - 1. Base: Dimplex Electric Fireplace
Glen Dimplex Americas
1367 Industrial Road
Cambridge ON N3H 4W3
1-888-346-7539
www.dimplex.com
 - 2. Substitutions not permitted
 - 3. Requests for substitutions will be considered in accordance with provisions of Section 01600.



Order No. 50001756
Model No. XHD33L

Notes:

Section 10309 - Manufactured Electric Fireplaces

2.2 ELECTRIC FIREPLACES

A. General:

1. Provide all components and accessories required for a complete, functional unit.
2. cULus listed, file E71416.

B. Pre-fabricated Electric Fireplace:

1. Base Product:

- a) Dimplex Electric Firebox
- b) Material Number: 50001756
- c) Regulatory Model Number: 6910090259
- c) Model Number: XHD33L

2. Description: Dimplex 33" Plug-in Fireplace Firebox

3. Dimensions:

- a) Width: 33-1/8" / 84.1 cm
- b) Height: 23-1/4" / 59.0 cm
- c) Depth: 7-1/2" / 19.1 cm

4. Framing Dimensions:

- a) Width: 31-5/8" / 80.2 cm
- b) Height: 22-5/8" / 57.5 cm
- c) Depth: 8" / 20.3 cm

5. Electrical:

- a) Volts: 120
- b) Watts: 1,465
- c) BTUs: 5,000
- d) Amps: 12.5

6. Venting: Non-venting

7. Operation: Flame only, flame and heat

8. Heating: Louver-less, fan-forced circulation

9. Liner: Gloss polypropylene backer

10. Standard features:

- a) Dimplex Flame Effect
- b) Adjustable flame speed
- c) Plug-in 120V
- d) Customizable firebox hues, mood lighting to adjust firebox light level
- e) Built-in Timer
- f) On-demand fan-forced heater
- g) Inner-glow logs and pulsing ember bed



Order No.	500001756
Model No.	XHD33L

Notes:

Section 10309 - Manufactured Electric Fireplaces

11. Control options:
 - a) Multi-function remote control
 - b) Built-in hidden controls (Standby, heat on/off, thermostat, brightness, flame theme)
12. Optional accessories available

PART 3 EXECUTION

3.1 INSPECTION

- A. Do not begin installation until substrates have been properly prepared.
- B. If substrate preparation is the responsibility of another installer, notify Architect of unsatisfactory preparation before proceeding.
- C. Verify proper power supply and fuel source are available.

3.2 PREPARATION

- A. Clean surfaces thoroughly prior to installation.
- B. Prepare surfaces using the methods recommended by the manufacturer for achieving the best result for the substrate under the project conditions.

3.3 INSTALLATION

- A. Install in accordance with manufacturer's instructions and requirements of authorities having jurisdiction.
- B. Use manufacturer's guidelines for minimum clearances to combustibles, walls, and finishes.
- C. Anchor all components firmly in position for long life under hard use.
- D. Upon completion of installation, visually inspect all exposed surfaces. Touch up scratches and abrasions with touch up paint recommended by the manufacturer; make imperfections invisible to the unaided eye from a distance of 5 feet (1.5 m).

3.4 PROTECTION

- A. Protect installed products until completion of project.
- B. Touch-up, repair or replace damaged products before Substantial Completion.

END OF SECTION

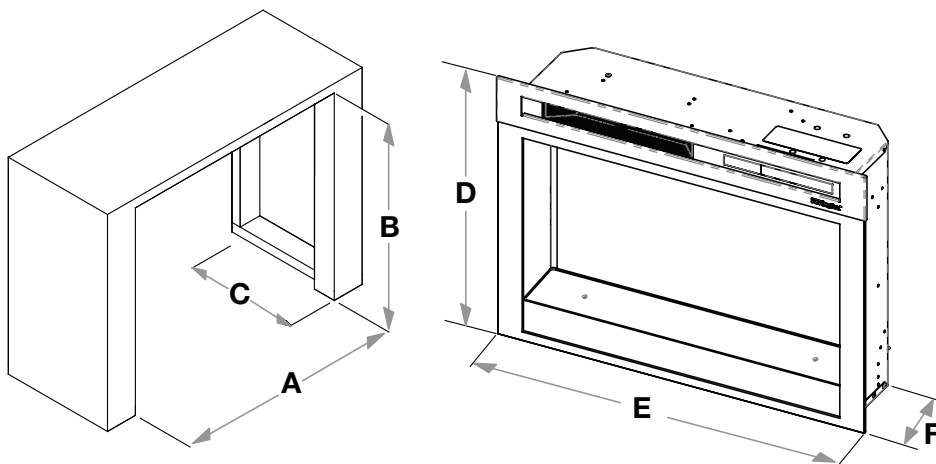


Order No.	500001756
Model No.	XHD33L
Notes:	

Section 10309 - Manufactured Electric Fireplaces

Framing Dimensions:

	XHD33L
A	31-5/8" (80.2 cm)
B	22-5/8" (57.5 cm)
C	8" (20.3 cm)
D	23-1/4" (59.0 cm)
E	33-1/8" (84.1 cm)
F	7-1/2" (19.1 cm)



1. The Dimplex Electric Fireplace does not require any special venting. Make sure there is clearance for air circulation beneath the unit and at least 1/2" behind it.
2. To build the rough-in opening, follow the framing dimensions above.



Scan for more information on dimensions, accessories, technical details.

To view full series visit:
dimplex.com

1-800-668-6663

Glen Dimplex Americas

©2023 Glen Dimplex Americas | 3P-020-R02-040925