



Order No. 500003049
Model No. ASP42

Notes:

Section 10309 - Manufactured Electric Fireplaces

PART 1 GENERAL

1.1 SECTION INCLUDES

- A. Manufactured electric fireplaces.
- B. Accessories

1.2 RELATED SECTIONS

- A. Section 06100 - Rough Carpentry: Wood framed rough opening and enclosure.

1.3 REFERENCES

- A. UL - 2021
- B. CSA - C22.2 No. 46

1.4 SUBMITTALS

- A. Submit under provisions of Section 01300.
- B. Product Data: Manufacturer's data sheets on each product to be used, including:
 - 1. Preparation instructions and recommendations.
 - 2. Storage and handling requirements and recommendations.
 - 3. Installation methods.
- C. Manufacturer's Certificates: Certify products meet or exceed specified requirements.
- D. Manufacturer's warranty.

1.5 DELIVERY, STORAGE, AND HANDLING

- A. Store products in manufacturer's unopened packaging until ready for installation.
- B. Protect materials from exposure to moisture. Do not deliver until after wet work is complete and dry.

1.6 WARRANTY

- A. Provide the manufacturer's 5-year limited warranty on electrical components.

PART 2 PRODUCTS

2.1 ACCEPTABLE MANUFACTURERS

- A. Pre-fabricated Electric Fireplace:
 - 1. Base: Dimplex Electric Fireplace
Glen Dimplex Americas
1367 Industrial Road
Cambridge ON N3H 4W3
1-888-346-7539
www.dimplex.com
 - 2. Substitutions not permitted
 - 3. Requests for substitutions will be considered in accordance with provisions of Section 01600.



Order No. 500003049
Model No. ASP42

Notes:

Section 10309 - Manufactured Electric Fireplaces

2.2 ELECTRIC FIREPLACES

A. General:

1. Provide all components and accessories required for a complete, functional unit.
2. cULus listed, file E71416

B. Pre-fabricated Electric Fireplace:

1. Base Product:

- a) Dimplex Ignite Aspire Electric Firebox
- b) Material Number: 500003049
- c) Model Number: ASP42
- d) Regulatory model number: 6914180400

2. Description: 42" Built-in Portrait Electric Firebox

3. Dimensions:

- a) Width: 42-5/8" / 108.2 cm
- b) Height: 46-1/2" / 118.1 cm
- c) Depth: 17-1/2" / 44.5 cm

4. Framing Dimensions:

- a) Width: 42 3/4" / 108.6 cm
- b) Height: 47" / 119.4 cm
- c) Depth: 18" / 45.8 cm

5. Electrical:

- a) Volts: 120 V (3-Wire) or 240 V (4-Wire)
- b) Watts: 1500 W at 120 V, 2500 W at 240 V
- c) BTUs/hr: 5118 | 8530
- d) Amps: 12.5/10.4

6. Venting: Non-venting

7. Operation: Flame only, flame and heat

8. Heating: Fan-forced circulation with option to permanently disable the heater

9. Liner: Steel

10. Standard features:

- a) NEW patent-pending Dynamic-Fire Flame Effect for remarkably realistic flames.
- b) NEW patent-pending rhythmic logs with inner glow technology.
- c) Seamless installation. Enjoy true design versatility with your choice of four installation options in one fireplace: front-facing, left-corner, right-corner, or bay-style, plug kit is included. Trim Installation Kit required (sold separately) for bay and corner installations.
- d) Flame Connect App takes the increased options of the remote and makes the personalization endless.
- e) Three natural crackling fire sound options to enhance the ambiance of the fire.



Order No. **500003049**
Model No. **ASP42**

Notes:

Section 10309 - Manufactured Electric Fireplaces

- f) Hardwire capabilities - 120V, 240V.
 - g) Onboard controls and wall-mountable remote.
 - h) Built-in Timer - Set for up to 8 hours.
 - i) Equipped with integrated self-diagnostic technology that provides maintenance and operation feedback.
11. Control options:
- a) Flame Connect mobile app
 - b) Multi-function remote control with wall-mount
 - c) Onboard controls (Standby, heat, link)
 - d) Built-in power switch
12. Optional Accessories:
- a) Trim Kit - 500003783
 - b) Other optional accessories available

PART 3 EXECUTION

3.1 INSPECTION

- A. Do not begin installation until substrates have been properly prepared.
- B. If substrate preparation is the responsibility of another installer, notify Architect of unsatisfactory preparation before proceeding.
- C. Verify proper power supply and fuel source are available.

3.2 PREPARATION

- A. Clean surfaces thoroughly prior to installation.
- B. Prepare surfaces using the methods recommended by the manufacturer for achieving the best result for the substrate under the project conditions.

3.3 INSTALLATION

- A. Install in accordance with manufacturer's instructions and requirements of authorities having jurisdiction.
- B. Use manufacturer's guidelines for minimum clearances to combustibles, walls, and finishes.
- C. Anchor all components firmly in position for long life under hard use.
- D. Upon completion of installation, visually inspect all exposed surfaces. Touch up scratches and abrasions with touch up paint recommended by the manufacturer; make imperfections invisible to the unaided eye from a distance of 5 feet (1.5 m).
- E. To use the mobile app, install where a WiFi connection is available.
- F. To install with no heat, refer to user manual (PN, 7216840100), Section 8.

3.4 PROTECTION

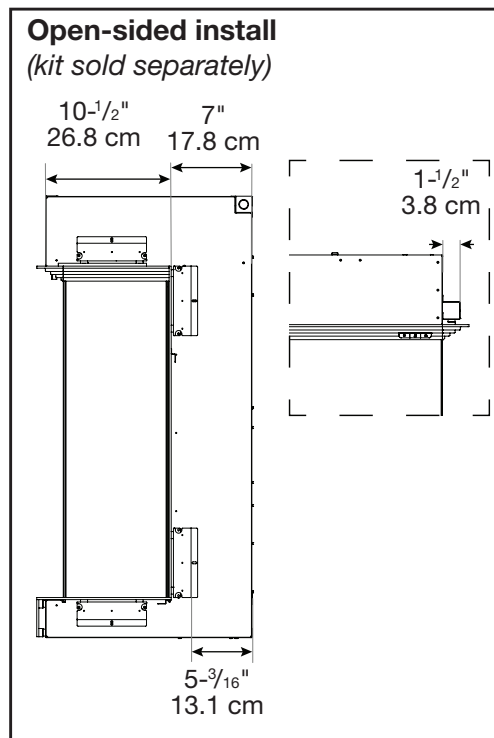
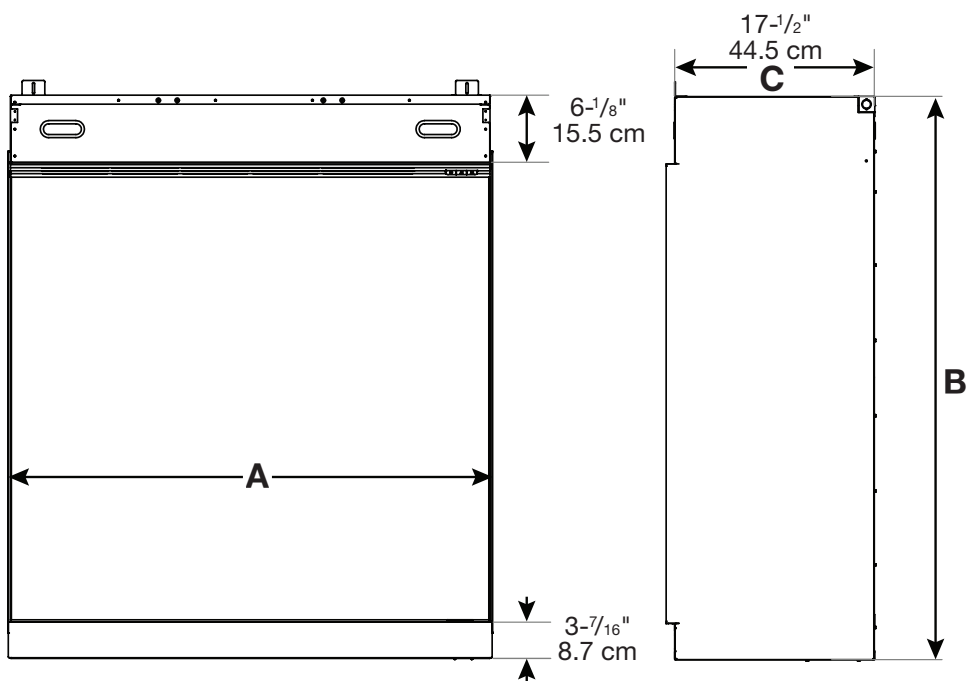
- A. Protect installed products until completion of project.
- B. Touch-up, repair or replace damaged products before Substantial Completion.

END OF SECTION



Order No. **500003049**
 Model No. **ASP42**
 Notes:

Product Dimensions:



Product ASP42	A WIDTH (in/cm)	B HEIGHT with trim (in/cm)	C DEPTH (in/cm)	VIEWING DIMENSION - WxHxD (in/cm)
Front Install	42-5/8 (108.2)	46-1/2 (118.1)	17-1/2 (44.5)	42 x 37 x 9 (106.9 x 94 x 22.9)



Order No. **500003049**
Model No. **ASP42**

Notes:

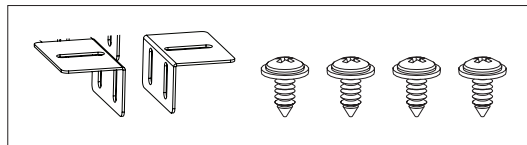
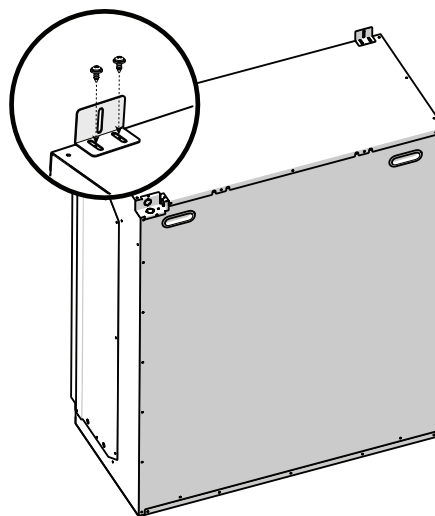
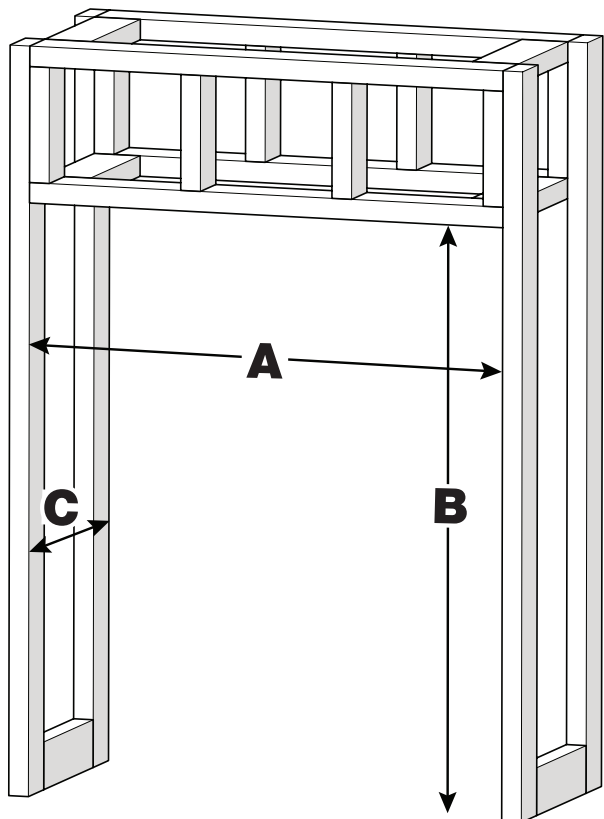
Framing Dimensions

Model	Width	Height	Depth
	A	B	C
ASP30	30-3/4" 78.2 cm	38" 96.6 cm	18" 45.8 cm
ASP36	36-3/4" 93.4 cm	44" 111.8 cm	
ASP42	42-3/4" 108.6 cm	47" 119.4 cm	
ASP48	48-3/4" 123.9 cm	50" 127 cm	

Prepare a wall with a framed opening, following the dimensions in the table.

⚠ CAUTION: This fireplace is **NOT** load-bearing. Ensure the opening for the fireplace is framed in such a way that the weight of the building materials will not create pressure on the top of the fireplace.

! NOTE: Wiring connections are located at the back of the firebox, in the top right corner.



Install the mounting brackets to the top of the firebox with the black screws provided.